

PARAVAN Transfer Seat Base

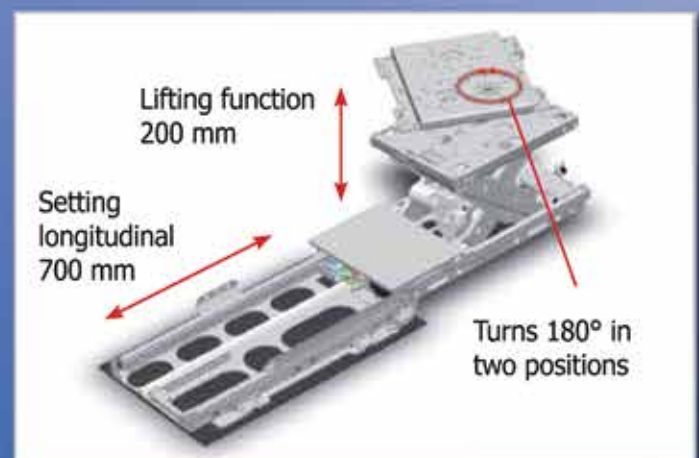
For convenient transfer



www.paravan.de
www.pmeautoconversions.com.au
info@pmeautoconversions.com.au

Special Features:

- Top production and product quality, "Made in Germany"
- Up to three-directional movements available
 - Forwards/backwards
 - Up/down
 - Rotating to left/right
- 180-degree rotation (left and right)
- Very compact installation dimensions
- Switching devices for operation can be mounted to suit the customers requirements
- No obstructive rails at the back (freely suspended) means more room to manoeuvre your wheel chair inside the vehicle
- Maintenance-free, powerful electric motors
- Tidy cabling (cable drag chain)
- Guided via top grade ball bearings (instead of plastic rollers)
- High stability and high quality materials
- Maximum stability by means of bolts (in the driver position)
 - No strain on the sprocket/toothed rack
 - Electric motor does not vibrate
 - Preserves the material
 - Additional safeguard in case of an accident
- Unique emergency release system for rotating and forwards/backwards (as an option)
- Low power consumption (10A)
- Radio remote control available (PARAVAN system)
 - Can be combined with other functions (ramp, sliding door, pulling-in aid)
- Integrated footrest
- Can be installed in many vehicles
- Crash tested to European Standard ECE-R 17 which meets Australian Safety Standards.
- All vehicle seats can be built up
- Developed entirely at PARAVAN
- Manufactured entirely at PARAVAN
- Sold in over 25 countries
- Fast service thanks to a comprehensive network of partners
- 24-hour spare parts delivery
- Worldwide dealership network



PME Auto Conversions

PH: (02) 9482 2808

info@pmeautoconversions.com.au

www.facebook.com/PMEAutoConversions